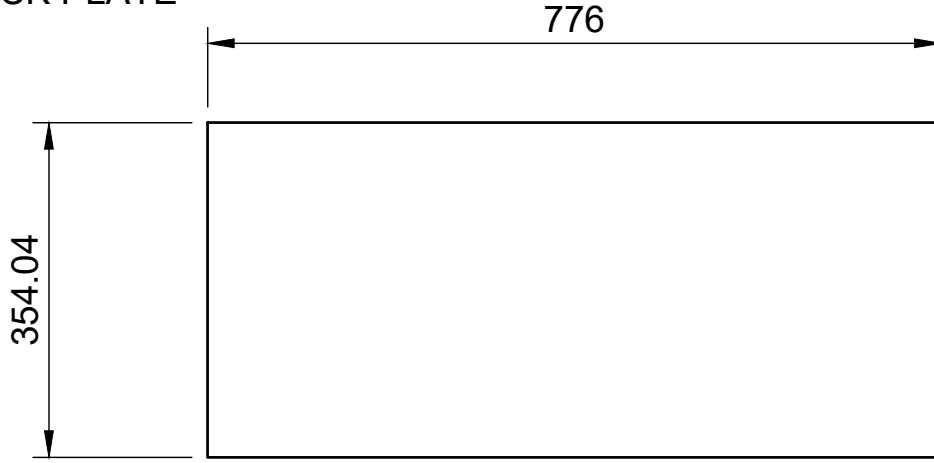
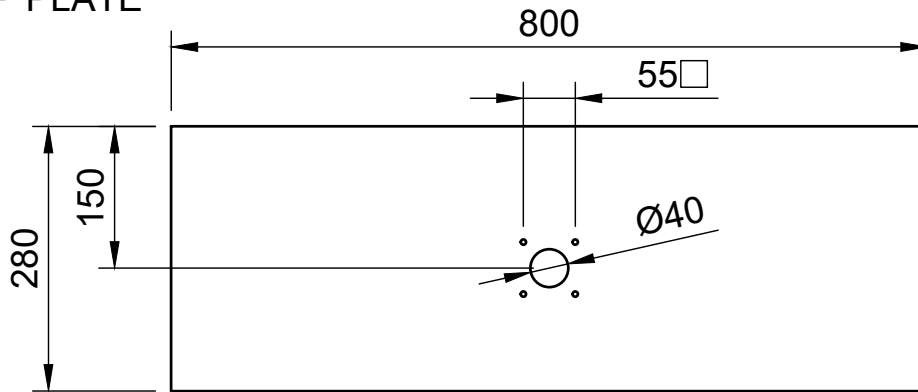


Dept.	Technical reference	Created by <b>Nikodem Bartnik 26/07/2023</b>	Approved by		
 <b>INDYSTRY.cc</b>		Document type	Document status		
		Title <b>powder coating booth</b>	DWG No.		
		Rev.	Date of issue	Sheet <b>1/3</b>	

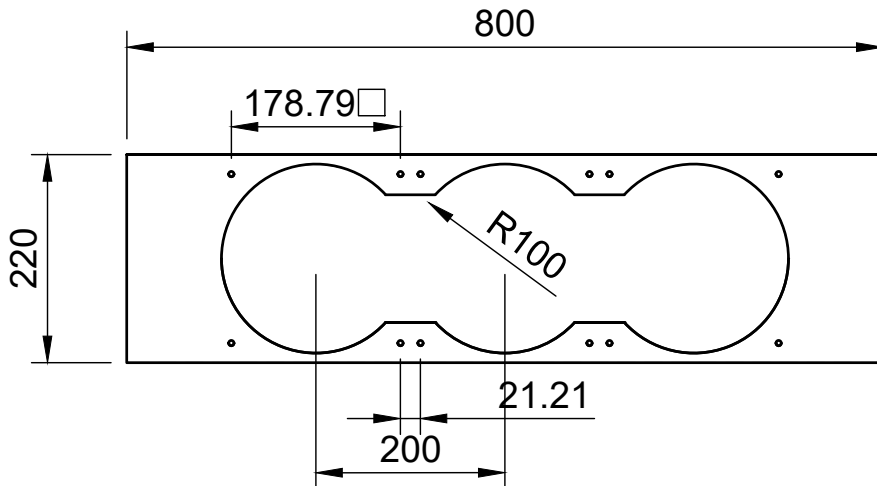
BACK PLATE




TOP PLATE

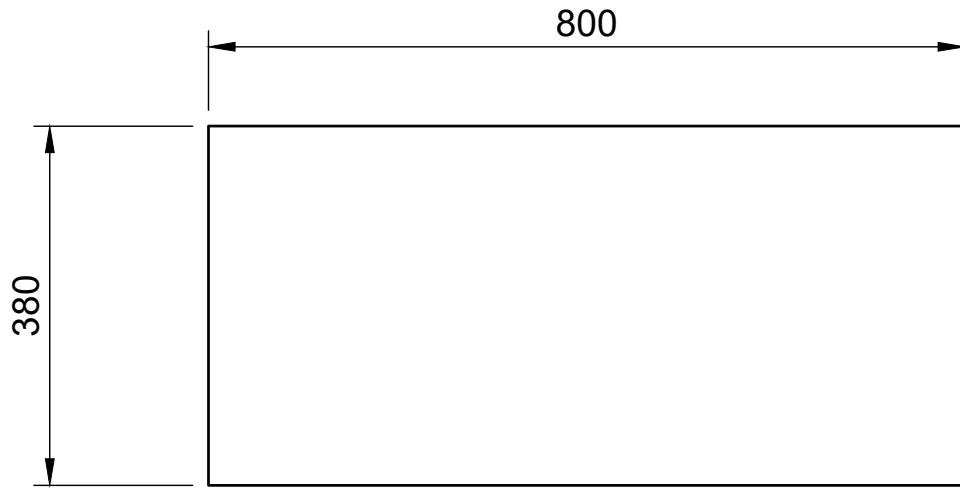


FAN PLATE

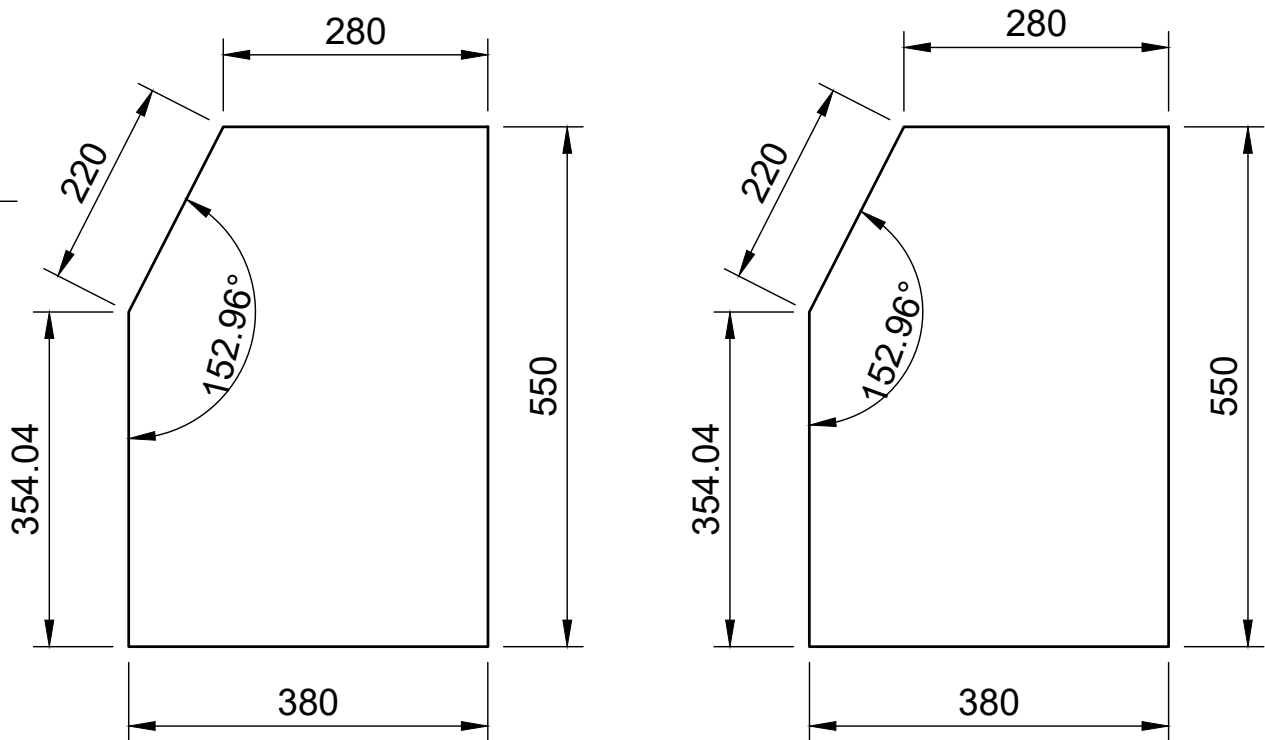


Dept.	Technical reference	Created by <b>Nikodem Bartnik 26/07/2023</b>	Approved by	
 <b>INDYSTRY.CC</b>		Document type	Document status	
		Title <b>powder coating booth</b>	DWG No.	
		Rev.	Date of issue	Sheet <b>2/3</b>

**BOTTOM PLATE**



**SIDE PLATES**



Dept.	Technical reference	Created by <b>Nikodem Bartnik 26/07/2023</b>	Approved by	
 <b>INDYSTRY.cc</b>		Document type	Document status	
		Title <b>powder coating booth by Industry.cc</b>		DWG No.
		Rev.	Date of issue	Sheet <b>3/3</b>